

**TORQUE
FORCE**
a division of



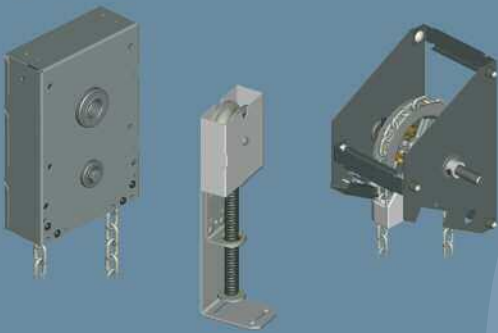
New Products

Residential Door Roller & Precision Rolling Door Bearing



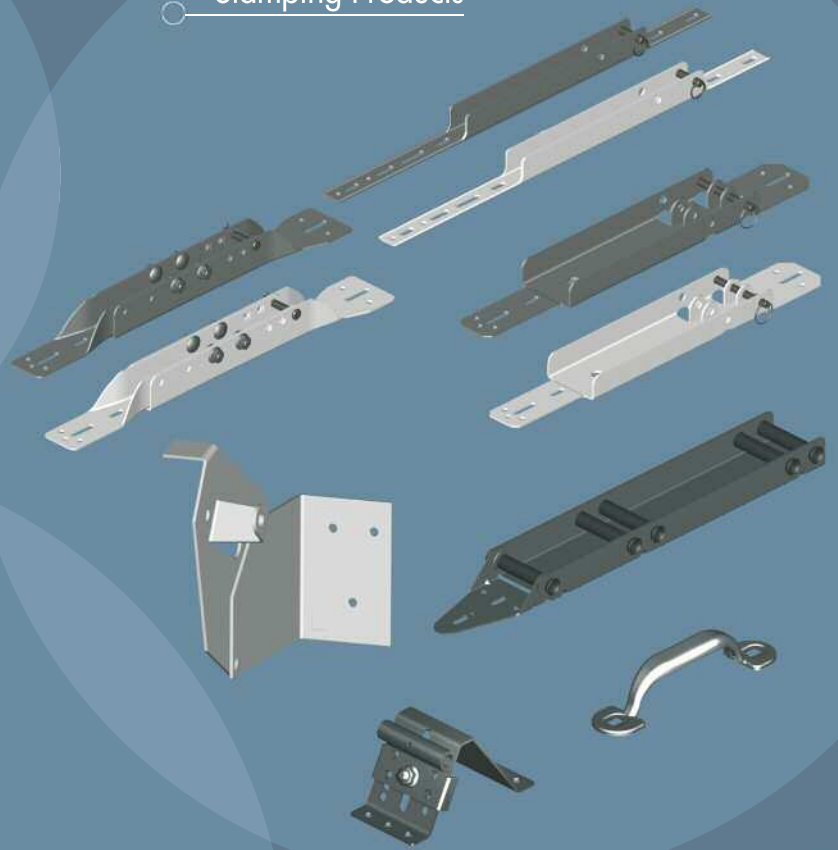
ALL STAINLESS STEEL
PRECISION BEARING ROLLER

Sectional Door Chain Hoists

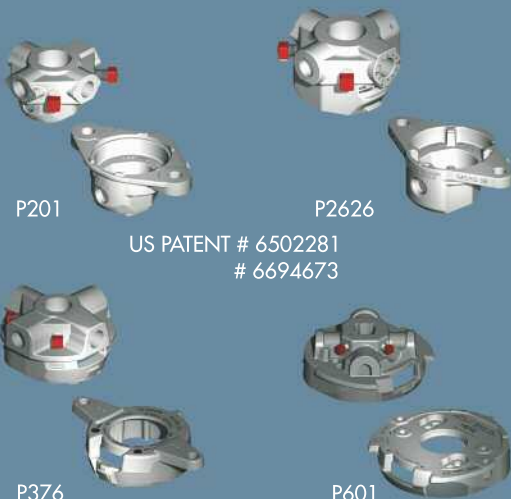


HAND CHAIN
TENSIONER

Stamping Products



Clever Plug Series



P201

P2626

US PATENT # 6502281
6694673

P376

P601

US PATENT # 6988527

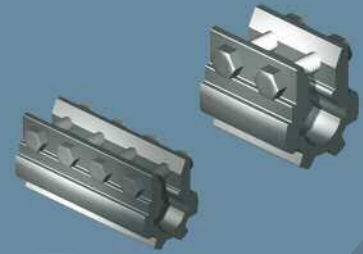


US PATENT # 6681809

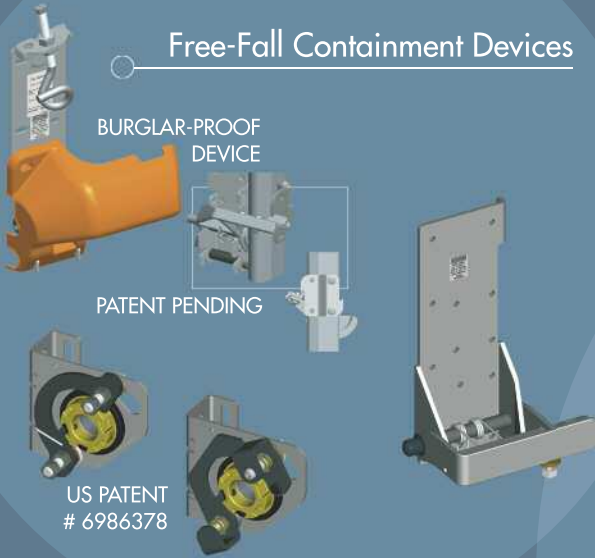


New Products

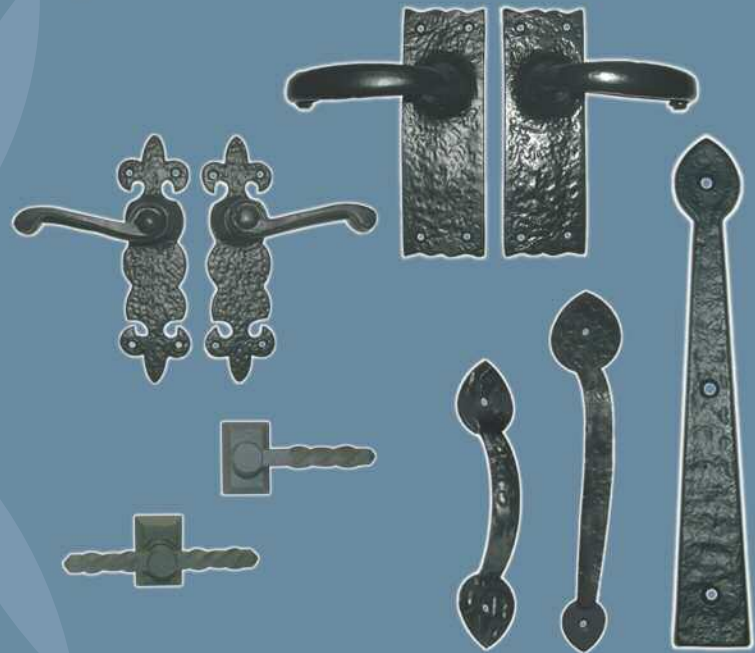
Aluminium Couplings



Free-Fall Containment Devices



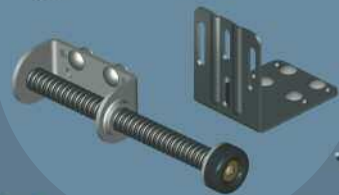
Decorative Carriage House Door Hardware



Lock Kit Series



Bumper Spring



**TORQUE
FORCE**
a division of



Please call our sales representatives for more information.

Canimex Inc., 285 St-Georges, Drummondville (Quebec) Canada J2C 4H3
Tel.: (819) 477-1335 Fax: (819) 477-0776 E-mail: torqueforce@canimex.com