



285, Saint-Georges Street  
Drummondville (Quebec) Canada, J2C 4H3

♥ 819 477-1335

[www.canimex.com](http://www.canimex.com)

**Press release**  
*For immediate distribution*

---

***Innovation in garage door hardware***

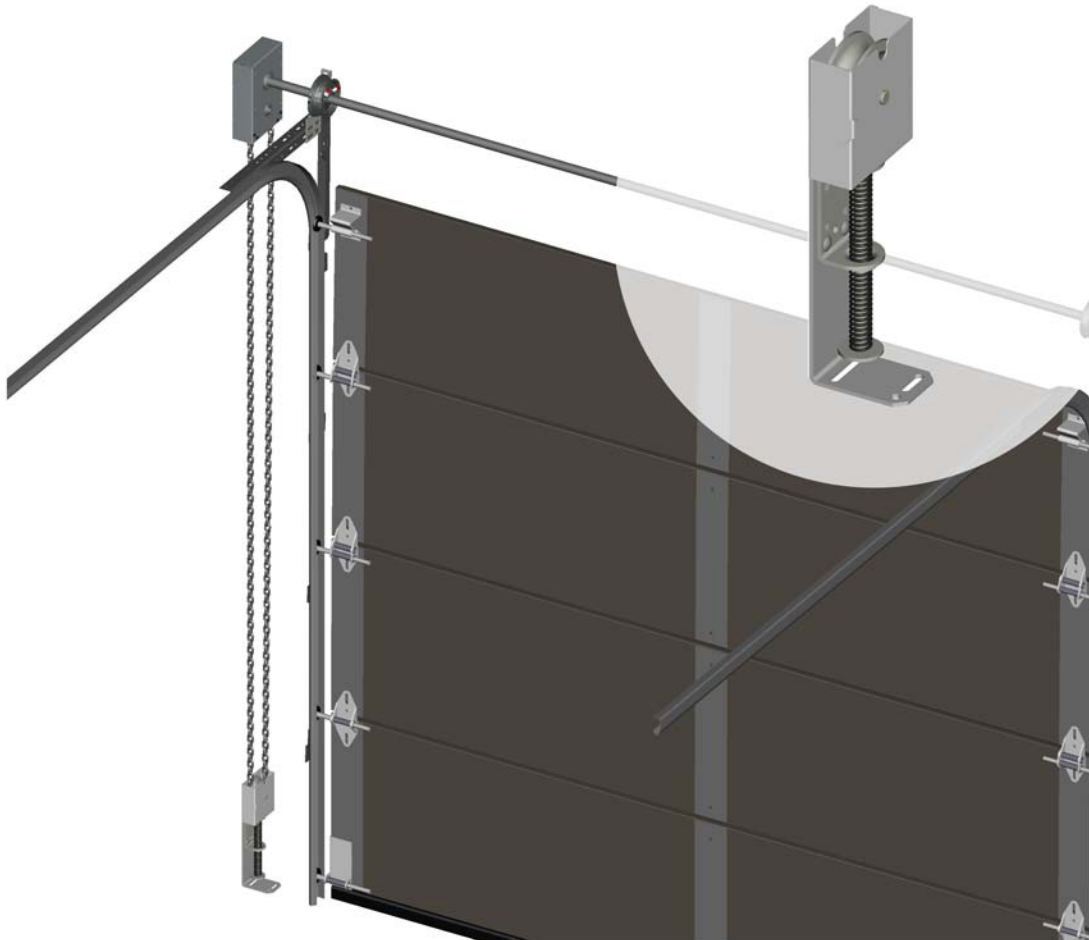
**TORQUE FORCE, A DIVISION OF CANIMEX INC., IS PROUD  
TO INTRODUCE THE *HAND CHAIN TENSIONER***

---

**Drummondville (Canada), 2008, June 4<sup>th</sup> – Canimex Inc. presents the new *Hand chain tensioner*.** That device is designed to perfectly control hand chain movement. With that product, the hand chain is always aligned with the chain hoist.

Note that it fits every Canimex hand chain or hoist. 3 easy installation options: floor, wall or track mounting. It comes with a protective cover for more security.

“Torque Force is eliminating any trouble cause by a loose chain with that tensioner. People are going to try it and they will love it! That’s another problem solved by Canimex”, says Michel Beaudoin, Director of Torque Force Division.



**Canimex Inc.: A history of dedication to manufacturers**

Founded in 1969, Canimex began as an importer-exporter of mechanical power transmission components and industrial supplies for the manufacture of snowmobile and agricultural machinery. Since then, our company operations have expanded and diversified to include three distinct divisions: Mechanical Power Transmission, Fluid Power and Torque Force garage doors hardware.

Our name is synonymous with innovation, performance and superior quality. We benefit from a dynamic, dedicated and skilled workforce of close to 850 and maintain warehouse and highly advanced production facilities totaling over 550 000 square feet.

Canimex's Torque Force division is recognized as a world-class OEM supplier, committed to delivering a broad range of specialized, high value hardware components to Access Systems manufacturers.

***Canimex... The Driving Force in Innovation.***

More information at [www.canimex.com](http://www.canimex.com)